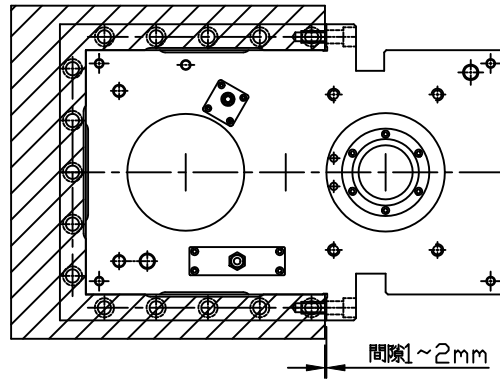
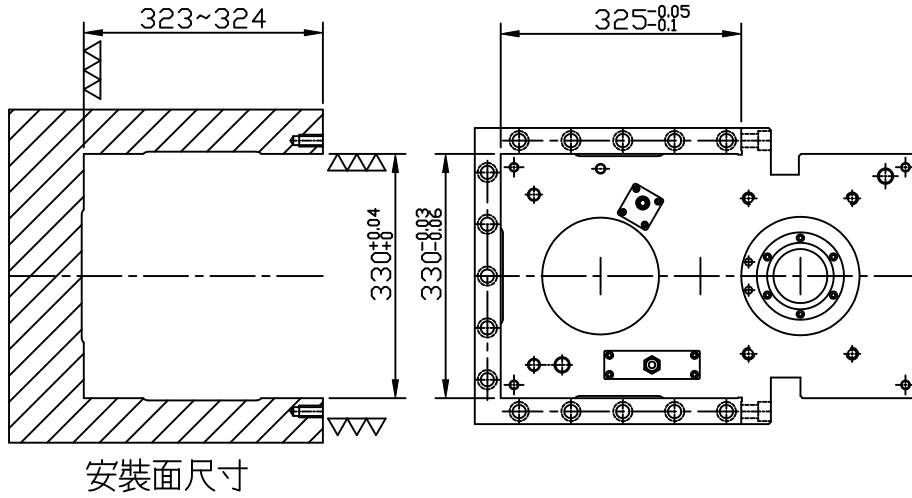
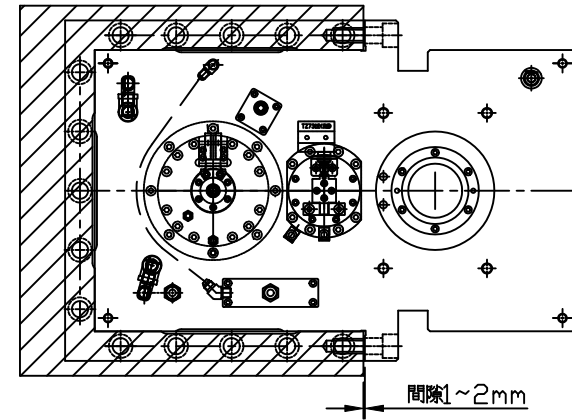
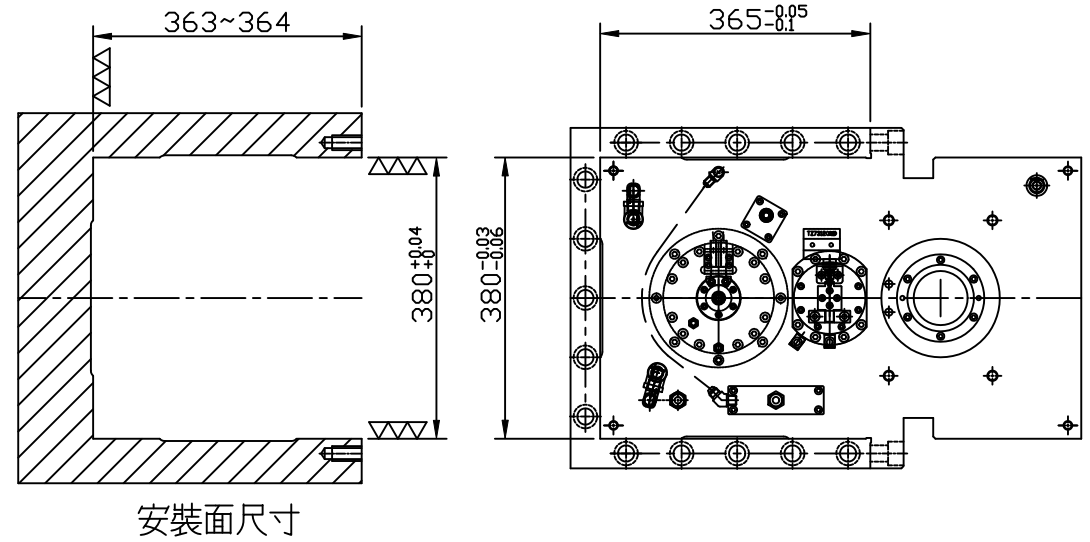



G2000 龍門機頭(# 40) 外型圖
 G2000 龍門機頭(# 50) 外型圖



G3000 龍門機頭(# 50) 外型圖



Itemref	Quantity	Title/Name, designation, material, dimension etc			Article No./Reference	
Designed by		Checked by	Approved by - date	Filename	Date	Scale
 CELLS 妻父木各禾斗寸支		Name	G 龍門機頭(# 40, # 50) 安裝尺寸建議			
		Number		Edition	Sheet	